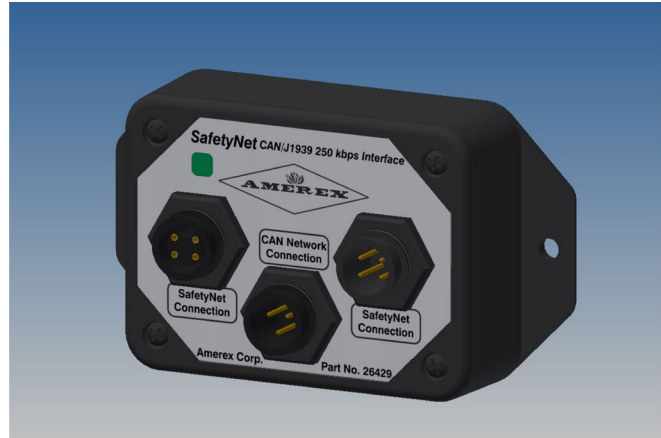


**Product Data Sheet:****26429 – 250kbps****27203 – 500kbps****Interface Module,
SafetyNet CAN/J1939
250kbps and 500kbps****SafetyNet to Vehicle Communications
CAN/J1939 Network Interface****FEATURES:**

- Backwardly compatible with all previous version SafetyNet systems
- Provides SafetyNet diagnostic messages to vehicle CAN/J1939 network
- May be used for system maintenance and safety system diagnostic review
- RoHS, Reach & WEEE compliant construction
- Two separate part numbers for 250k and 500k baud rate vehicle CAN networks
- Coordinates SafetyNet internal clock with vehicle CAN controller

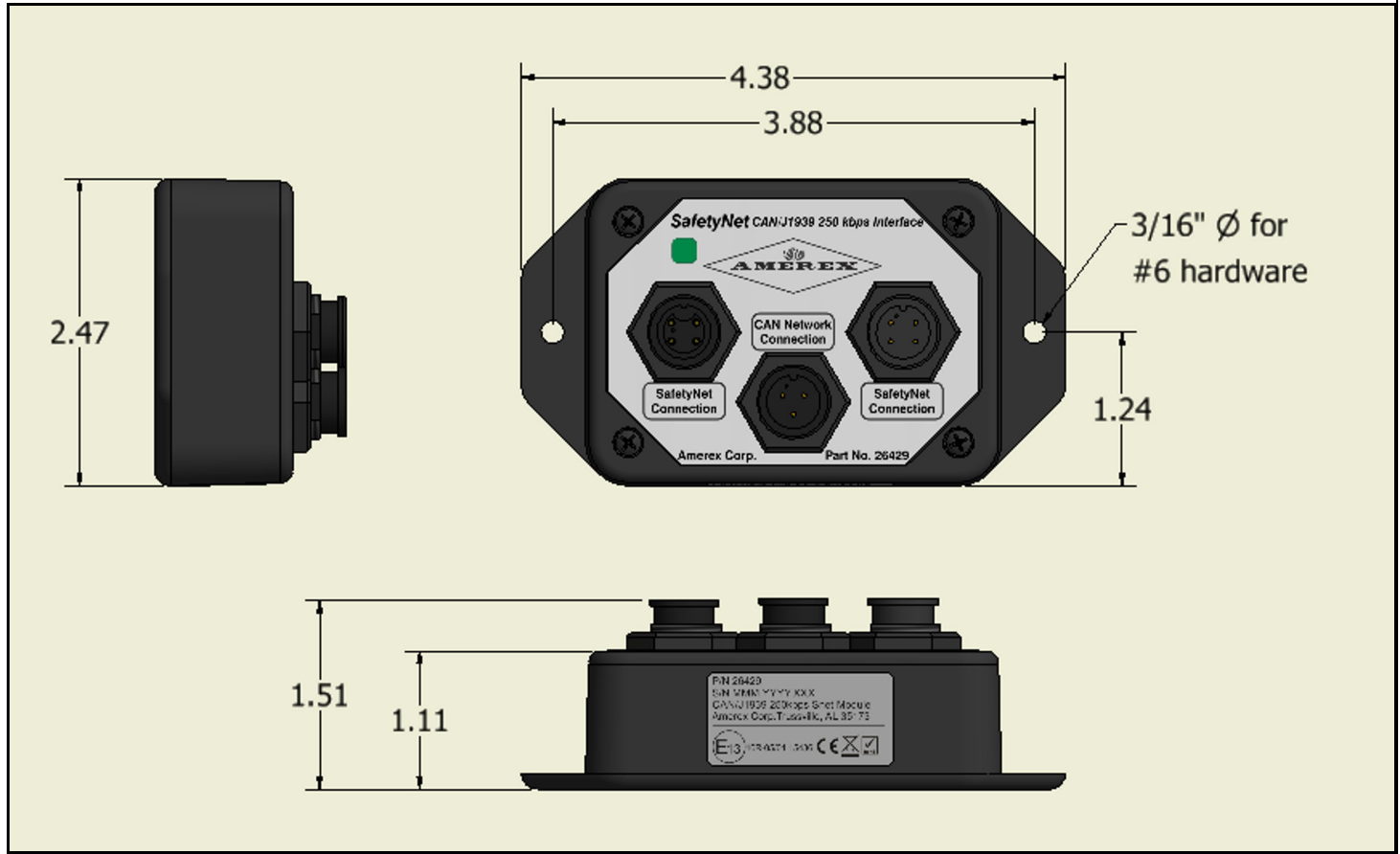
BENEFITS:

- Connects to vehicle CAN/J1939 AVM network and allows for simplified diagnostics and maintenance
- Provides SafetyNet diagnostic messages which may be included with all other telematics reports
- Translates and transmits SafetyNet proprietary messages to the CAN/J1939 network
- Automatic synchronization of SafetyNet internal clock which allows for coordinated event tracking

PRODUCT DESCRIPTION:

The SafetyNet CAN/J1939 Interface module provides SafetyNet Fire Suppression and Gas Detection electronics the ability to transmit diagnostic messages to vehicle CAN/J1939 network operating at either 250k or 500k baud rate. Coordination with telematics reporting software provides the end user with current system status and detailed troubleshooting of SafetyNet system status via a common telematics reporting platform. The CAN/J1939 interface is installed as a module residing in the on the SafetyNet communication (RS485) network cabling. Proprietary SafetyNet codes are regularly transmitted on the network of SafetyNet modules and sensors. The CAN/J1939 interface module reads, sorts and translates SafetyNet messages into an SAE CAN/J1939 DM1 format. Sensor and module specific messages such as system Fire and Trouble conditions are recorded and transmitted to the CAN/J1939 network where they may be recorded and reported via the telematics system. Benefit to the end user results in reduced time spent trouble shooting system problems, offsite monitoring of vehicle status which allows for reduce time spent diagnosing vehicle fire suppression status.

- SafetyNet CAN/J1939 Interface Module Dimensional Data -



Electrical Specifications

Operating Voltage	10 – 30 vdc
CAN Output	5 vdc differential
26429 CAN baud rate	250 kbps
27203 CAN baud rate	500 kbps

Mechanical Specifications

Dimensional	4.38 "L x 2.47 "W x 1.5"H 111 mm x 63 mm x 39 mm)
Weight (not including CAN cable)	8 oz. (227 g)

Environmental Specifications

Temperature	-40°F to +185°F (-40°C to +85°C)
Flammability Rating	UL94 V-0

Operating Characteristics

Supervised Circuits	<ul style="list-style-type: none"> Supervised via CAN network
Front Panel Indication	<ul style="list-style-type: none"> Power On – Green LED Trouble indicator – Yellow LED

Test Agency Approvals

EMC Compliance	ECE324R10.05/01
Approval Number	E13 10R05/01 15436 00

Total Fire Systems, Inc.
P.O. Box 1408
Wake Forest, North Carolina 27588
Tel (919) 556-9161
www.tfsnc.com

As part of an ongoing program of product evaluation and improvement, Total Fire Systems, inc reserves the right to change its literature, product and service offerings at any time without notice.

Data Sheet Revision History

Rev Date	Revision Author	Brief Description
7/25/19	MR	Update specification fields
12/02/19	MR	Add 500kbps to data sheet
1/29/20	MR	EMC approval number added to data sheet
3/19/20	MR	Revise front label 26429 & 27203
4/20/20	MR	Revise images to read CAN/J1939